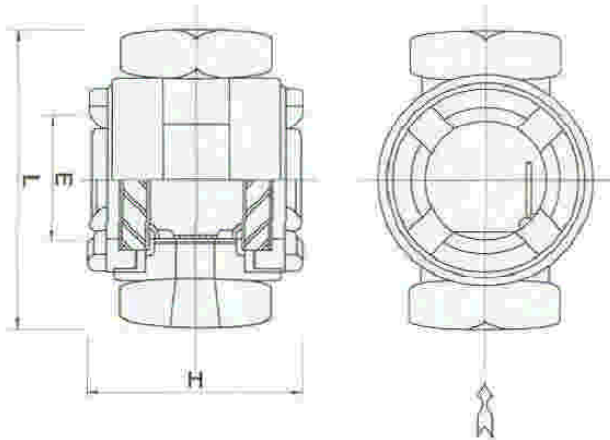


Flapper Type Sight Flow

■ Model: KSG2-C



■ SPECIFICATION

Max. Pressure: 10 – 30 bar
 Max. Temperature: 300°C
 Glass: Tempered Glass
 Connection: BSPF or NPTF
 Sight glass with flapper can check the state of fluid flow by opening and closing the flapper.

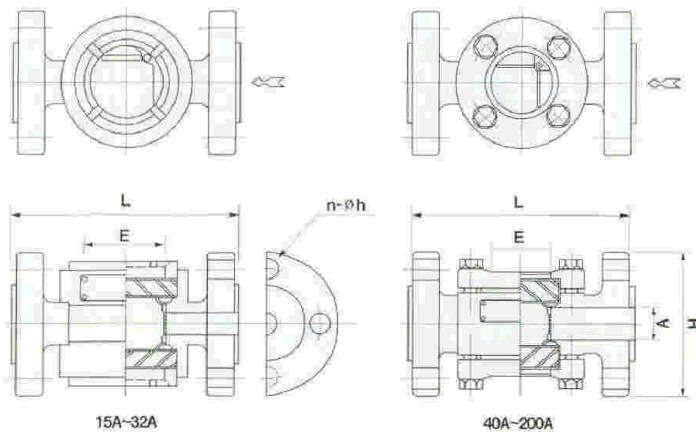
■ DIMENSIONS

Size A(")	L	H	E
15(1/2)	100	73	40
20(3/4)	100	73	40
25(1)	120	73	40
32(1-1/4)	120	73	40
40(1-1/2)	145	120	65
50(2)	160	135	80

■ MATERIAL

Body
FC20(Cast Iron)
SCS13(Cast Stainless Steel 304)
SCS14(Cast Stainless Steel 316)
SCPH2(Cast Steel)

■ Model: KSG3-C



■ SPECIFICATION

Connections: Flanged to DIN or ANSI spec
 Max. Pressure: 10 – 30 bar
 Max. Temperature: 100°C~300°C
 Glass: Tempered Glass

■ DIMENSIONS

Size A(")	L	H	E
15(1/2)	150	82	40
20(3/4)	150	82	40
25(1)	170	90	40
32(1-1/4)	170	114	40
40(1-1/2)	200	114	65
50(2)	220	132	75
65(2-1/2)	220	132	75
80(3)	270	176	105
100(4)	320	206	130
125(5)	380	250	170
150(6)	420	281	200
200(8)	500	343	260

■ MATERIALS

Body
FC20(Cast Iron)
SCS13(Cast Stainless Steel 304)
SCS14(Cast Stainless Steel 316)
SCPH2(Cast Steel)