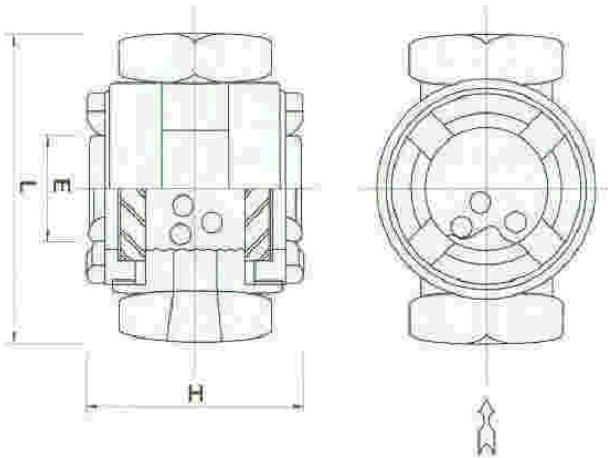


Ball Type Sight Flow

Model: KSG2-B



SPECIFICATION

Max. Pressure: 10 – 30 bar

Max. Temperature: 300°C

Glass: Tempered Glass

Connection: BSPF or NPTF

Sight Glass with balls can check the fluid flow by the motion of balls.

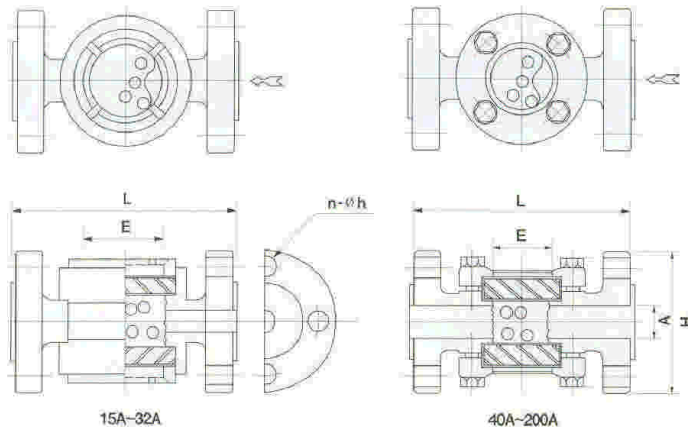
DIMENSIONS

Size A(")	L	H	E
15(1/2)	100	73	40
20(3/4)	100	73	40
25(1)	120	73	40
32(1-1/4)	120	73	40
40(1-1/2)	145	120	65
50(2)	160	135	80

MATERIALS

Body
FC20(Cast Iron)
SCS13(Cast Stainless Steel)
SCS14(Cast Stainless Steel)
SCPH2(Cast Steel)

Model: KSG3-B



SPECIFICATION

Connections: Flanged to DIN or ANSI spec

Max. Pressure: 10 – 30 bar

Max. Temperature: 100°C~300°C

Glass: Tempered Glass

DIMENSIONS

Size A(")	L	H	E
15(1/2)	150	82	40
20(3/4)	150	82	40
25(1)	170	90	40
32(1-1/4)	170	114	40
40(1-1/2)	200	114	65
50(2)	220	132	75
65(2-1/2)	220	132	75
80(3)	270	176	105
100(4)	320	206	130
125(5)	380	250	170
150(6)	420	281	200
200(8)	500	343	260

MATERIALS

Body
FC20(Cast Iron)
SCS13(Cast Stainless Steel)
SCS14(Cast Stainless Steel)
SCPH2(Cast Steel)

C & F T Flowmeters & Chlorinators
TECHNOLOGIES

Specialists in flow metering and chlorination applications

Phone: +27 11 792 4588 Fax: +27 11 792 8494

email: sales@cftechflowmeters.co.za

website: www.cftechflowmeters.co.za