

M80 - 3" METERS WITH MECHANICAL DISPLAY

The M80 is the large capacity meter in the M Series range. It has the ability to handle a wide range of fluid viscosities with exceptional levels of repeatability and durability.



M80ARM-X

Product Benefits

- Compact size.
- Easy to read and operate mechanical display.
- Flexibility of installation options (e.g. can be mounted horizontally or vertically; no flow conditioning required).
- Low pressure drop allows for economical pump selection or gravity flow applications.
- Meter construction enables fast and easy on-site servicing without removal from application.
- Meter accuracy is verified by a factory calibration check after which an individual metrology report is issued.
- Meter design minimises the number of wearable and replaceable parts and extends product life.
- An Option of 10/100 Pulse per unit of measure output is available.

MODEL	M80
METER TYPE	METER WITH MECHANICAL DISPLAY
METER BODY MATERIAL	ALUMINIUM
WETTED COMPONENTS: ROTOR MATERIAL SHAFTS O-RING	ALUMINIUM 316 STAINLESS STEEL NBR (NITRILE)
FLOW RATE RANGES (litres per minute/US gallons per minute) ABOVE 5 CPS BELOW 5 CPS	20 to 733 / 5 to 194 66 to 616 / 17 to 163
ACCURACY- WITHIN (OF READING) REPEATABILITY	+/- 0.5% 0.03%
MAXIMUM VISCOSITY (OF STANDARD MODEL)	1000 Centipoise
MAXIMUM OPERATING PRESSURE	1200KPA/175PSI/12BAR
MAX. OPERATING TEMPERATURE	80°C / 176°F
RECOMMENDED MESH STRAINER SIZE	40 MESH



Analogue Mechanical Register

Port Size To order flowmeter you must replace 'X' with the relevant number. This number will determine the following specifications:

Port Size:

- 1 = 3" BSP (F) Ports
- 2 = 3" NPT (F) Ports
- 3 = 3" ANSI 150lb Flange
- 4 = 3" ANSI 150lb Flange
- 5 = 80mm DIN 16 Flange
- 13 = 80mm JIS 10K Flange

Calibrated and Display In:

- Litres
- US Gallons
- Litres
- US Gallons
- Litres
- Litres

PPS = Polyphenylene Sulphide Resins



M80 - 3" METERS WITH MECHANICAL DISPLAY

Options & Accessories

M80 - 3" MECHANICAL DISPLAY	VITON O-RING	TEFLON O-RING	EPDM O-RING	HIGH TEMP ROTORS	HIGH VISCOSITY ROTORS	HALL EFFECT SENSOR	REED SWITCH	SOLVENT KIT	HASTALLOY C SHAFTS	ANALOGUE REGISTER	PULSER KIT P500	REMOTE MOUNTED LC DISPLAY	P500 PULSER	4-20mA MODULE
M80AMA-X	O	O	O	X	X	X	X	O	X	S	A	X	A	X

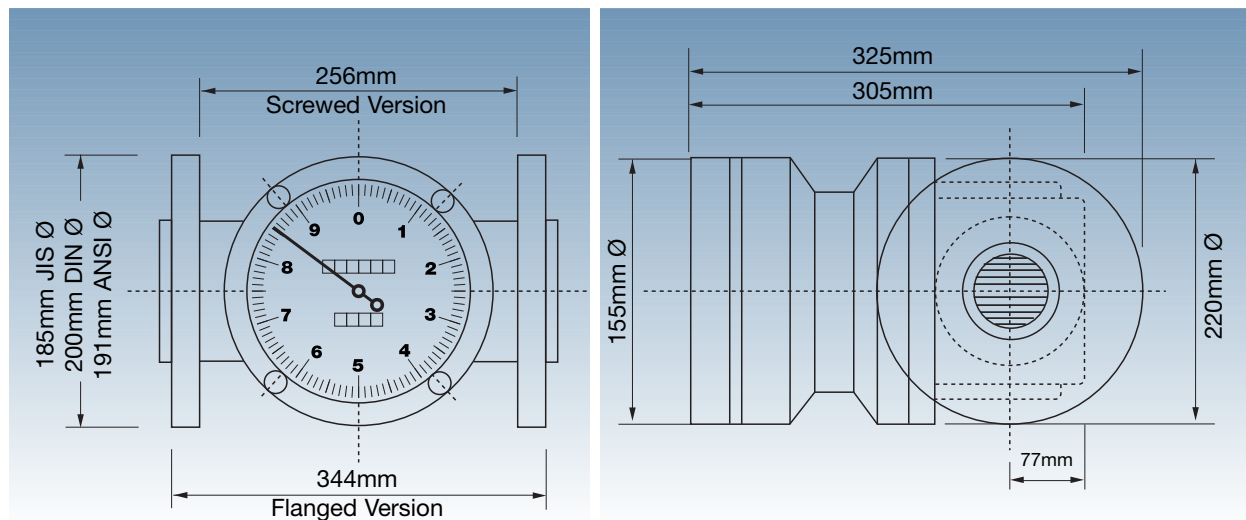
S = Standard

O = Optional

X = Not Available

A = Accessory

Dimensions



Analogue Mechanical Display

TYPE M80 - 3" MECHANICAL METERS